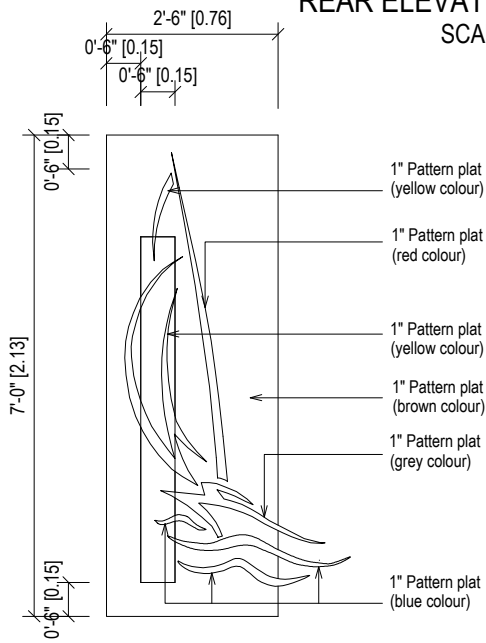


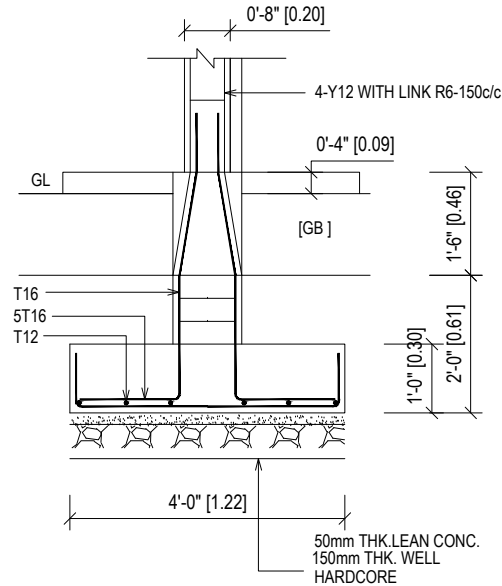
REAR ELEVATION OF SIGNBOARD [TYPE B]

SCALE : 1/2" TO 1'-0"



DETAIL OF G.I BOLD LOGO

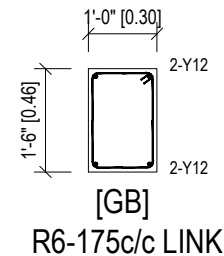
SCALE : 1/2" TO 1'-0"



DETAIL FOOTING

SCALE : 1/2" TO 1'-0"

SECTION A-A
SCALE : 1/2" TO 1'-0"



**MAJLIS PERBANDARAN
MANJUNG**

TAJUK LUKISAN:

REAR ELEVATION OF SIGNBOARD
[TYPE B]
DETAIL OF G.I BOLD LOGO
DETAIL FOOTING
SECTION A-A
[GB]

TAJUK PROJEK:

PAPAN TANDA NAMA TAMAN
[Jenis B -SKIM PERUMAHAN
40 UNIT KEATAS]

Scala:	1/2" TO 1'-0"	Tarikh:	2022
Dilukis:	Aiman	Disemak:	Rohaizan

DRAWING NO:

MPM / JBG / PTT / B -02 / PIN 2022